

VCI[®]

Series: T400
3 & 4 - Way Trunnion
Mounted Ball Valve



Features

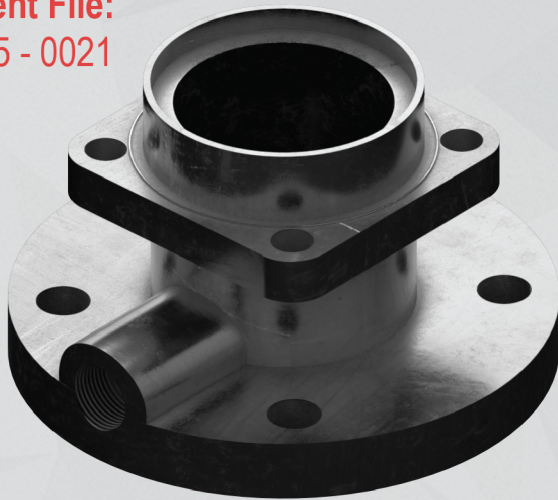
- One Piece Stem-Ball-Trunnion
- Live Loaded Resin / Metallic Seats
- Trunnion & Stem Bearings
- Triple Stem Seals
- Top Entry
- Valve Design Per ASME B16.34

Benefits

- Direct Torque Transfer To The Ball
- Long Seat Service Life
- No Stem Side Loads
- Fire Safe Design
- Ease Of Maintenance
- Enhanced Stem Sealing Life

Patented Flanged Ends

Patent File:
1295 - 0021



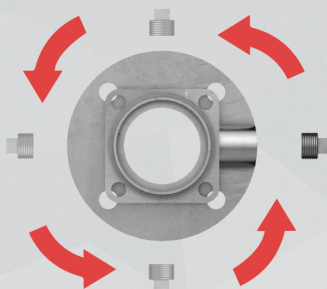
Bleed Port Design

The VCI® T400 flanged ends design utilizes the built-in bleed ports that remove the client's need for bleed fittings & gaskets, and eliminates possible leak points where / when applicable.



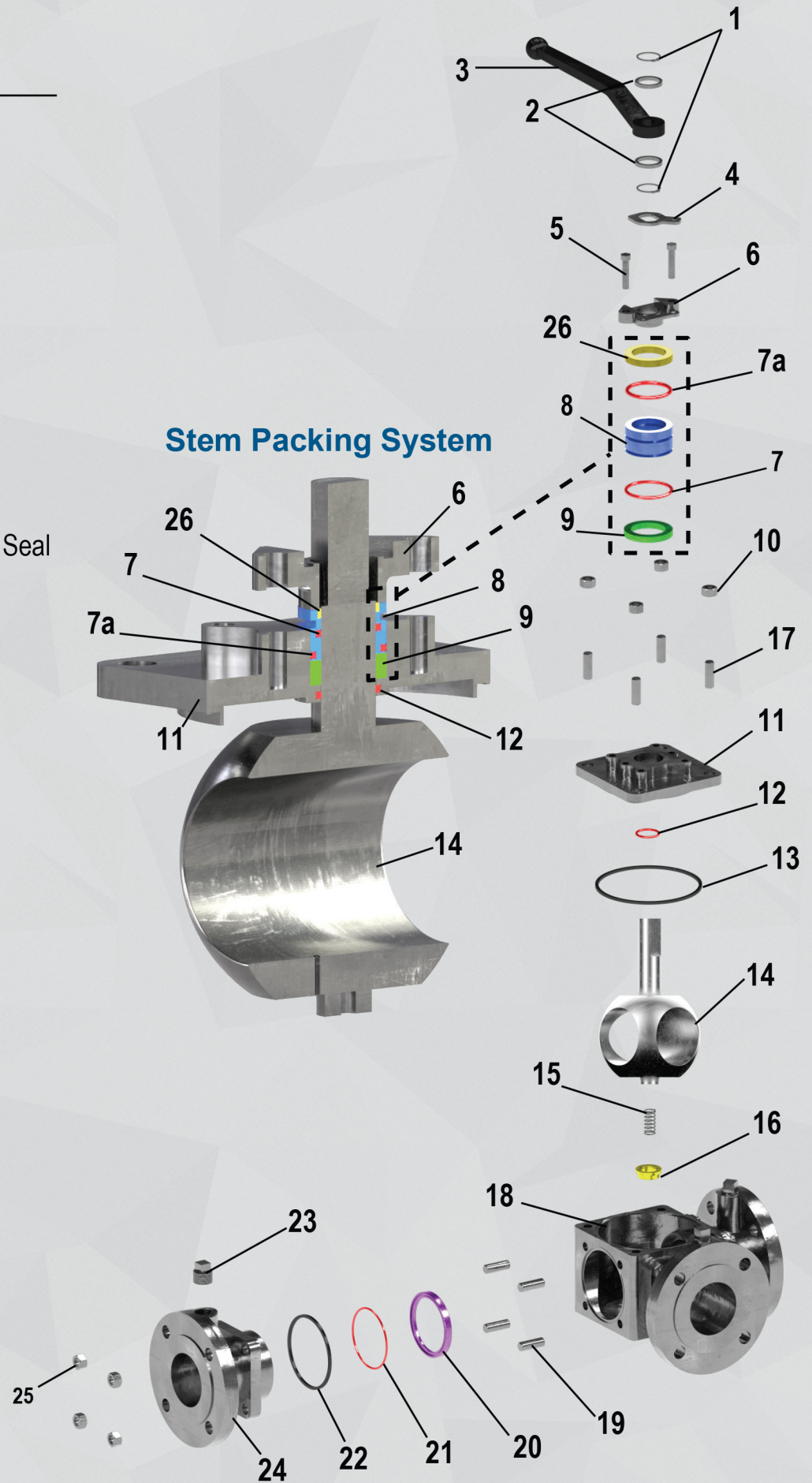
One Piece Stem-Ball-Trunnion Design

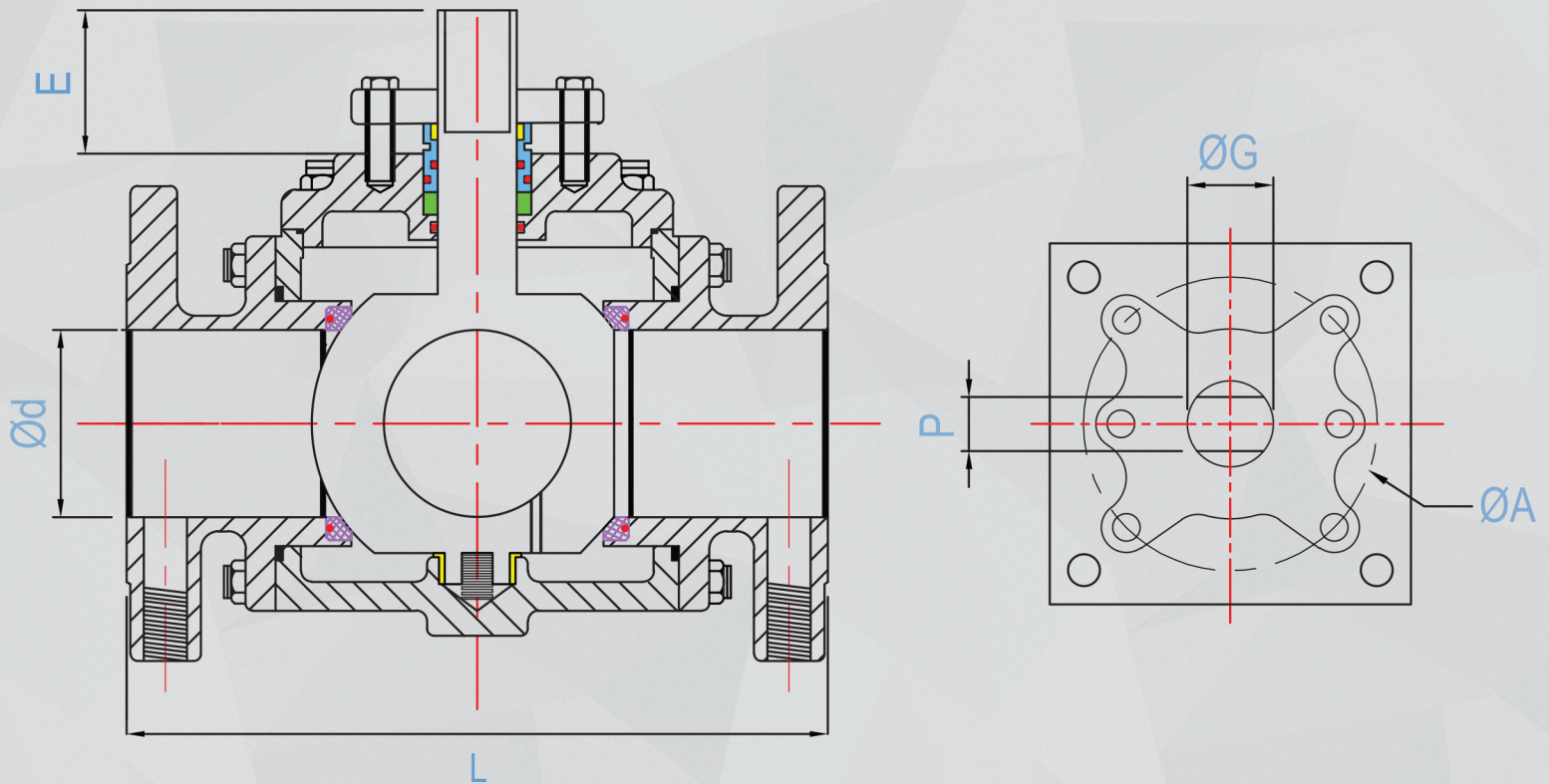
One piece stem-ball-trunnion design facilitates direct torque transfer by actuator.



End-to-body connection allows for versatile bleed-port configurations which can be assembled as per clients requirements.

NO.	PART NAME
1	C Retainer Ring
2	Washer
3	Handle
4	Stopper
5	Hex Head Bolt
6	Gland
7	Stem O-Ring
7a	Bonnet O-Ring
8	Gland Ring
9	Fire Safe Packing
10	Bonnet Nut
11	Bonnet
12	Primary Stem O-Ring Seal
13	Bonnet Gasket
14	Ball / Stem / Trunnion
15	Anti-Static Spring
16	Trunnion Bearing
17	Bonnet / Body Stud
18	Body
19	End / Body Stud
20	Seat
21	Seat O-Ring
22	Body Gasket
23	Bleed Port Plug
24	End Flange
25	Body Nut
26	Stem Bearing

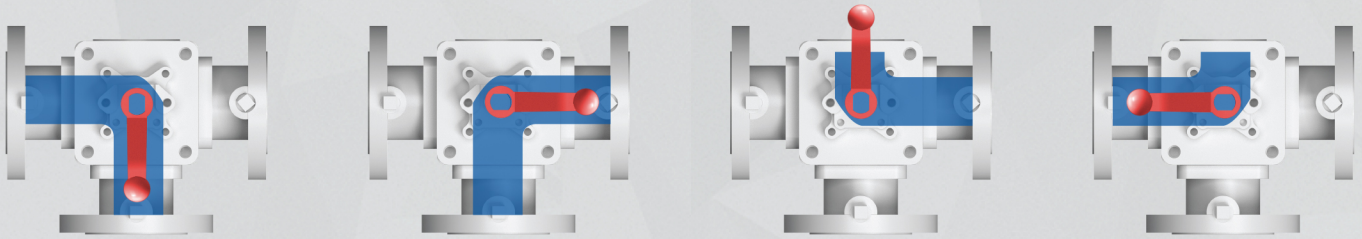




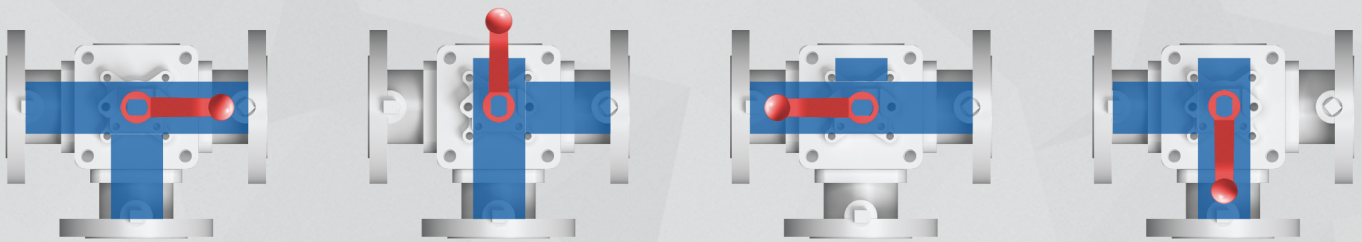
ANSI Class	Size	ØA	ØG	L	P	Ød	E	Bleed Port Size (NPT)
150	2"	2 3/4	7/8	11 1/4	21/32	1 31/32	1 11/16	3/4"
	3"	4 1/32	1 11/64	12 27/32	7/8	3 1/32	2 3/8	3/4"
	4"	4 59/64	1 11/32	16 11/32	29/32	3 15/16	3 7/32	1/2"
	6"	4 59/64	1 49/64	17 9/16	1 3/8	5 29/32	3 1/4	1/2"
300	2"	2 3/4	7/8	11 3/4	21/32	1 31/32	1 11/16	1/2"
	3"	4 1/32	1 11/64	12 27/32	7/8	3 5/32	2 3/8	1/2"
	4"	4 59/64	1 11/32	16 11/32	29/32	3 15/16	3 1/32	1/2"
	6"	4 59/64	1 49/64	18 27/64	1 3/8	5 29/32	3 1/32	1/2"
600	2"	2 3/4	1 3/64	14 1/2	7/8	1 31/32	3 13/32	1/2"
	3"	4 1/32	1 11/32	15 7/32	29/32	3 5/32	3 13/16	1/2"
	4"	4 59/64	1 25/32	17 3/8	1 3/8	3 15/16	4	1/2"
	6"	4 59/64	2 23/64	22 43/64	1 49/64	5 29/32	4	1/2"

- Note:**
- "L" dimension can be adjusted according to client's requirements.
 - Additional valve sizes and ANSI classes are available upon request.
 - All dimensions shown are in inches and are subject to change without notice.

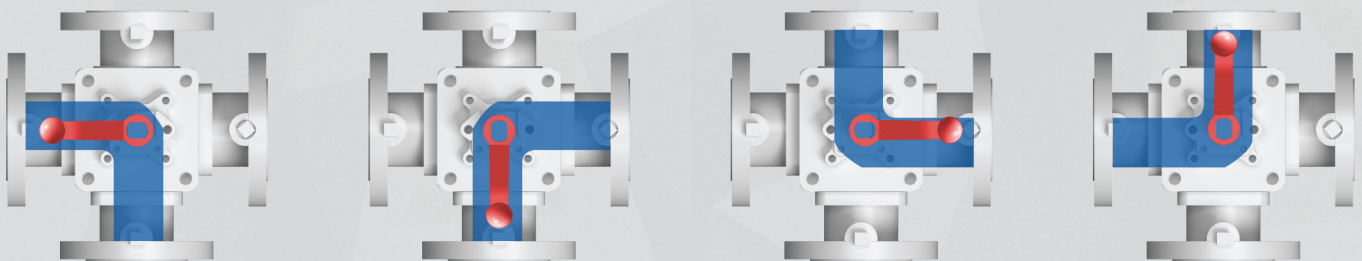
3-Way L-Port



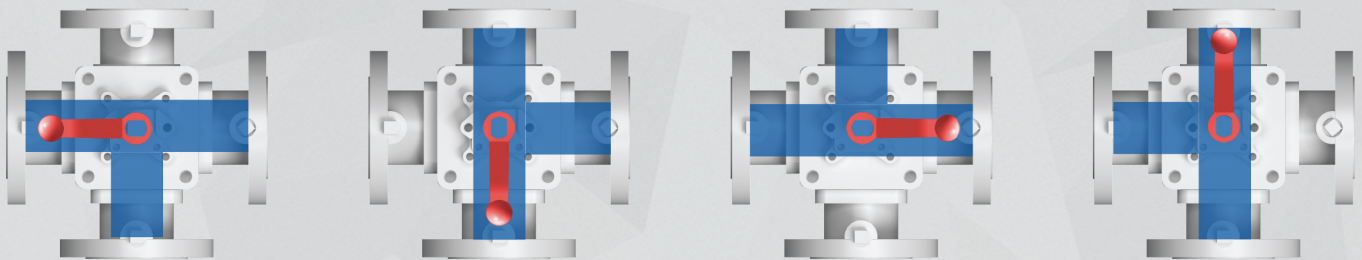
3-Way T-Port



4-Way L-Port

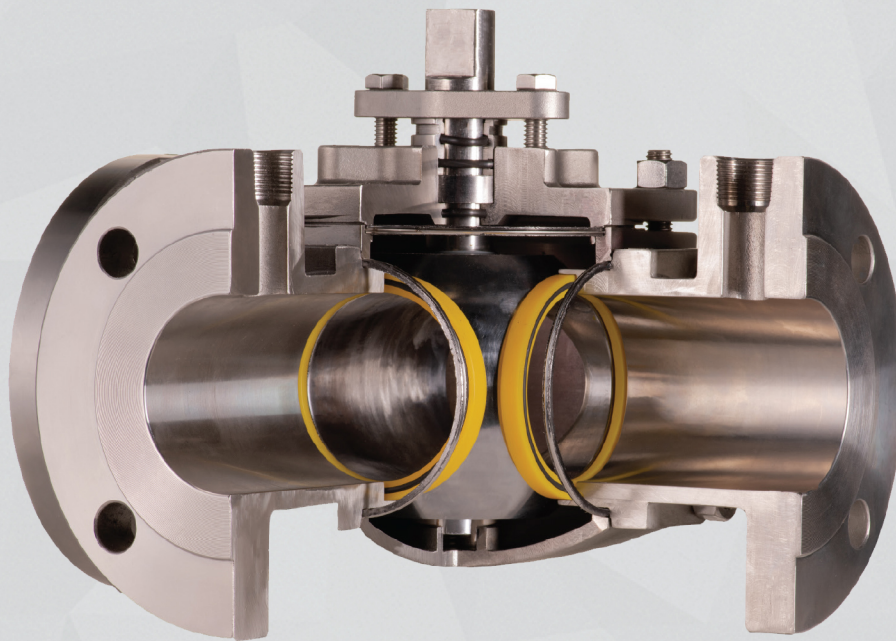
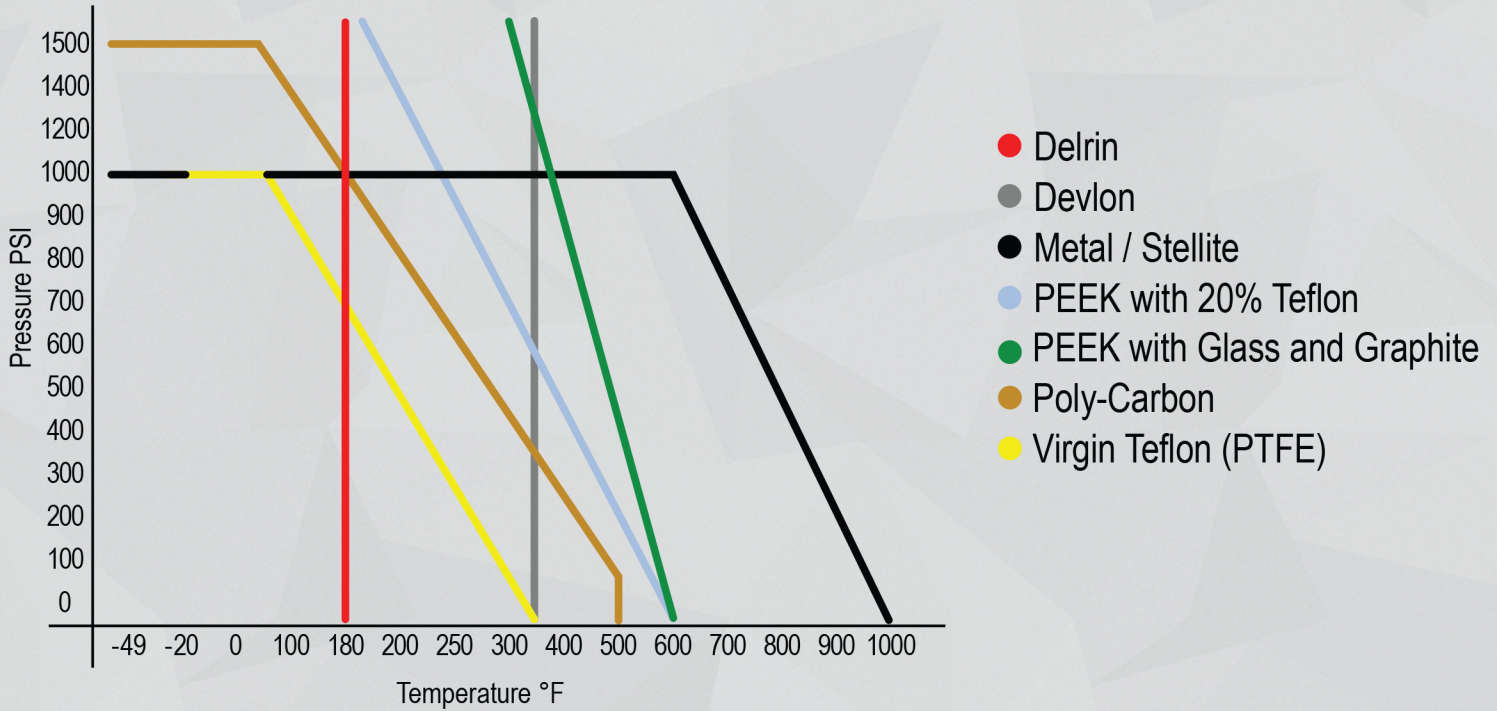


4-Way T-Port



Additional flow patterns available.

Rating Chart of Seat Materials



Guide Valve Limited

51 Terecar Dr., Unit 1
 Woodbridge, ON CANADA L4L 0B5
 Tel: 905-761-7877
 Fax: 905-761-7917

www.gvs-vci.com

sales@gvs-vci.com

Guide Valve USA Limited

16295 North Frwy Service Rd.
 Building #17
 Houston, Texas, 77090.
 USA.

Toll-Free: 1-888-824-5693

Distributor / Agent: